

## TA-925 Panel 902-928 MHz



The TA-925 is a vertically or horizontally polarized directional panel antenna. The antenna consists of a printed broadband dipole array enclosed in an aluminum base with a UV stabilized ASA radome for superior weatherability. The antenna is at DC ground to aid in lightning protection.

### Electrical Specifications

**Frequency Range:** 902-928 MHz  
**Gain:** 7.8 +/- 0.5 dBd  
**VSWR:** 1.5:1 max.  
**Front to Back Ratio:** 20 dB  
**Polarization:** Vertical or Horizontal  
**Power Rating:** 50 Watts  
**H-Plane Beamwidth:** 55 degrees  
**E-Plane Beamwidth:** 58 degrees  
**Cross Pol. Discrimination:** 15 dB min.  
**Impedance:** 50 ohms nominal  
**Termination:** N female

Typical mid band values. (For details , contact factory)  
 Specifications subject to change without notice

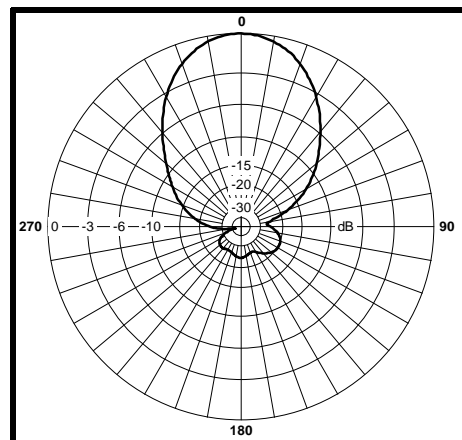
### Mechanical Specifications

**Length:** 12 in. (302.8 mm)  
**Width:** 12 in. (302.8 mm)  
**Depth:** 2.7 in. (68.6 mm)  
**Weight (incl. Clamps):** 5 lb. (2.3 kg)  
**Rated Wind Velocity:** 125 mph (200 km/h)  
**Hor. Thrust at rated wind:** 63 lb. (28.6 kg)  
**Mechanical Tilt:** 0 +/- 10 degrees  
**Mounting (O.D.):** 1.75 - 3.25 in. (44.5 - 85 mm)

### Materials

**Radiating Elements:** Plated copper on PCB  
**Reflector:** Irridited aluminum  
**Radome:** Gray UV stabilized ASA  
**Clamps:** Aluminum and HDG steel

H-Plane



E-Plane

